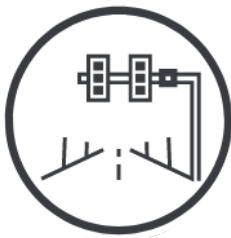


TVV2-50S Single Lane Traffic Speed radar



TVV2-50S is a 24Ghz single-lane multi-target traffic speed radar , which can measure the information of vehicles on one lane in real time and provide with as distance, speed, and direction. With information, radar can be used to trigger camera to capture vehicles, such as over speed vehicles, wrong way vehicles, etc. This product has ultra-low power consumption, easy to install and support remote debugging, which is widely used in intersection management, highway management and law enforcement.



Intersection Management



Highway management

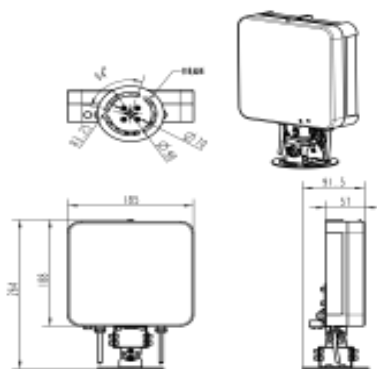


Law Enforcement

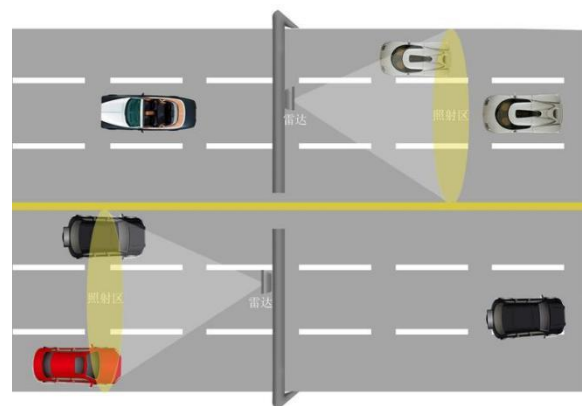
Features

- The vehicle target capture rate is 100%, and the multi-shot rate is <math><1\%</math>
- Vehicle positioning accuracy up to 0.1m
- High update rate of 50ms to support real time data display
- Vehicle capture range is adjustable between 15~40m
- Support 3 capture modes including coming, leaving, both direction
- Compatible with Hikvision, Dahua and other mainstream cameras
- Support WIFI remote debugging and upgrading
- Adapt to all day, all-weather work.

Dimension



Installation



Radar is suggested to be installed on the gantry or cantilever poles in the middle of the road. Installation Height : 4~6m.

Specification

Parameter	TTV2-50S	
Operating Frequency	24GHz	
Range	Min.	1m
	Max.	50m
	Accuracy	±0.3m
Speed	Min./Max.	-300...+300km/h
	Accuracy	-1km/h~0 km/h
Covering Lanes	1	
Mechanical Details		
Weight	1.5kg	
Dimensions (H/W/D)	185x98x264mm	
Further Information		
Initialization Time	< 10s	
Operating Voltage	DC12V	
Power Consumption	6W	
Bandwidth	<	
Max. Transmit Power (EIRP)	<20dBm	
Operating & Storage Temperature	-40...+85°C	
Interfaces10	RS485 /Wifi	
Relative Humidity	0...95%	
Protection Grade	IP67	

